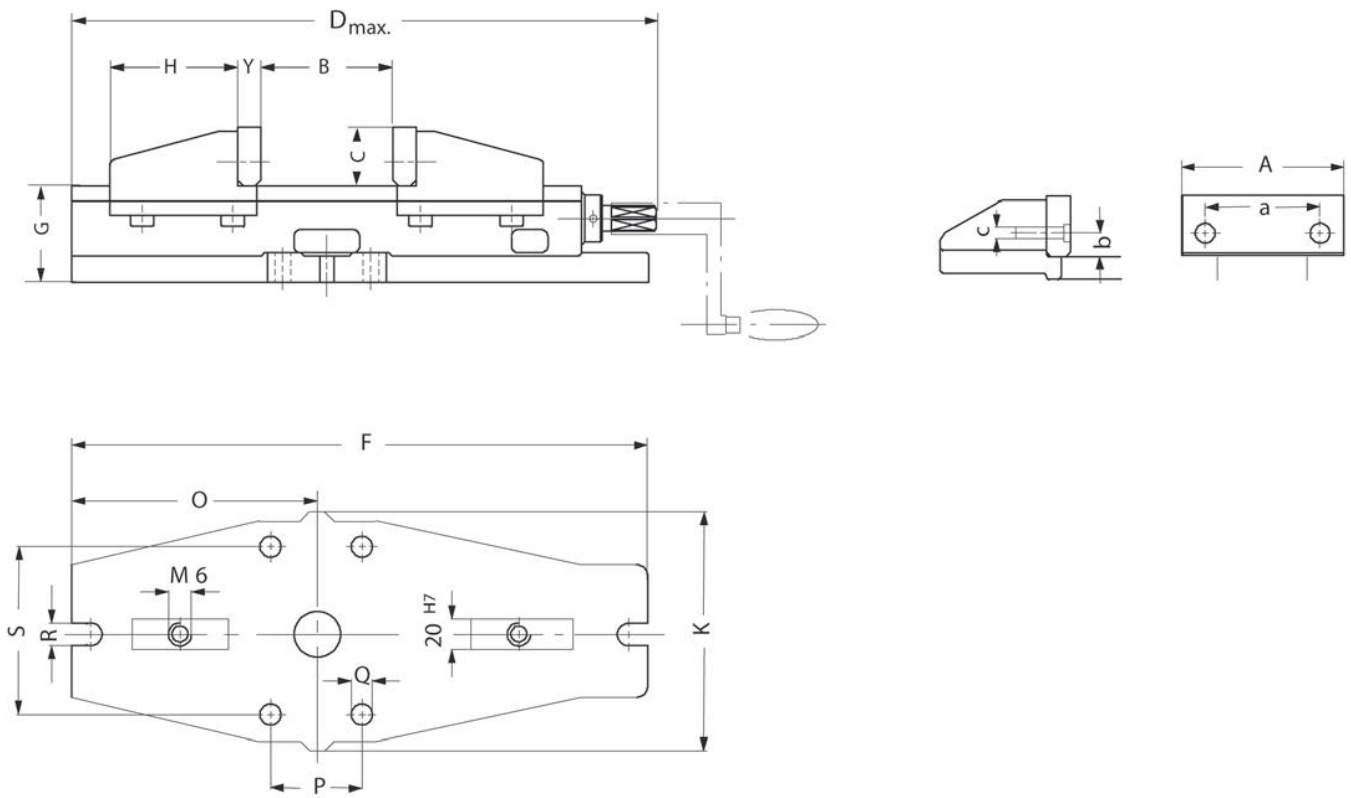




UZ machine vice



Accessories UZ

A37
Draw-down jaws SNF, with spring plate, hardened and ground



Item no.	Contents of delivery	Size	Width mm	Height mm
077103	set	2	90	24,6
077104	set	2a	113	31,6
077105	set	125	135	39,6
077106	set	160	160	49,6
077107	set	200	200	62,6

A37
Normal jaw SGN, one side smooth, one side grooved, both sides ground



Item no.	Contents of delivery	Size	Width mm	Height mm
152767	piece	2	90	24,6
152753	piece	2a	113	31,6
152754	piece	3	135	39,6
152755	piece	160	160	49,6
152759	piece	200	200	62,6
152760	piece	6	250	62,6
152762	piece		300	79,6

A37
Normal jaw finely checkered SGNf, reversible, to increase the specific contact pressure (higher holding forces), one side finely checkered, one side longitudinally grooved



Item no.	Contents of delivery	Size	Width mm	Height mm
156195	piece	2a	113	31,6
156196	piece	3	135	39,6
156197	piece	160	160	49,6
156198	piece	200	200	62,6

A37
V-jaw SPR, with vertically and horizontally ground-in prisms, hardened, for combination with SGN, only suitable for double clamping



Item no.	Contents of delivery	Size	Width mm	Height mm	Chuckling capacity mm	
					Horizontal	Vertical
082361	piece	2	90	24,6	3-13	5-32
082362	piece	2a	113	31,6	3-13	5-32
082363	piece	125	135	39,6	4-20	6-40
082364	piece	160	160	49,6	5-29	7-48
082365	piece	200	200	62,6	6-37	8-56
082366	piece	6	250	62,6	7-45	9-65

A37
V-jaw and standard jaw SBO, unhardened and burnished, with workpiece support



Item no.	Contents of delivery	Size	Width mm	Height mm	Chuckling capacity mm	
					Horizontal	Vertical
317259	set	2a	110	31,8	3-12	5-32
317260	set	125	135	39,8	3-13	6-40
317261	set	4	160	49,8	5-22	7-48

A37
Normal jaw SGNA, with movable workpiece stop, hardened and ground, only suitable for double clamping



Item no.	Contents of delivery	Size	Width mm	Height mm
150739	piece	2a	113	31,6
150740	piece	125	135	39,6
150741	piece	4	160	49,6

Accessories UZ

C15
Hand crank HKU, with octagon socket



Item no.	Contents of delivery	Size	Octagon	L
009152	piece	70	14	125
009153	piece	92	17	160
009154	piece	125	19	200

General accessories

A37
Work locator WSA, universally adjustable, for fastening to the machine table (size 14 T-slot) or for screwing onto the NC-compact vice / machine vice (M12)



Item no.	Contents of delivery
320401	piece

A37
Fixed slot nuts NTS, hardened and ground, with fixing screw



Item no.	Contents of delivery	Size	Length mm
014823	set	20x12	22
014825	set	20x14	25
014827	set	20x16	25
014829	set	20x18	25
014831	set	20x20	22
014833	set	20x22	32

Accessories
UZ machine vice