

# KZS-PG



## APPLICATION

Optimally suited for the rational clamping in automated work sequences.

## TYPE

Pneumatically actuated centering vice available with a large jaw stroke. 2-jaws version.

## CUSTOMER BENEFITS

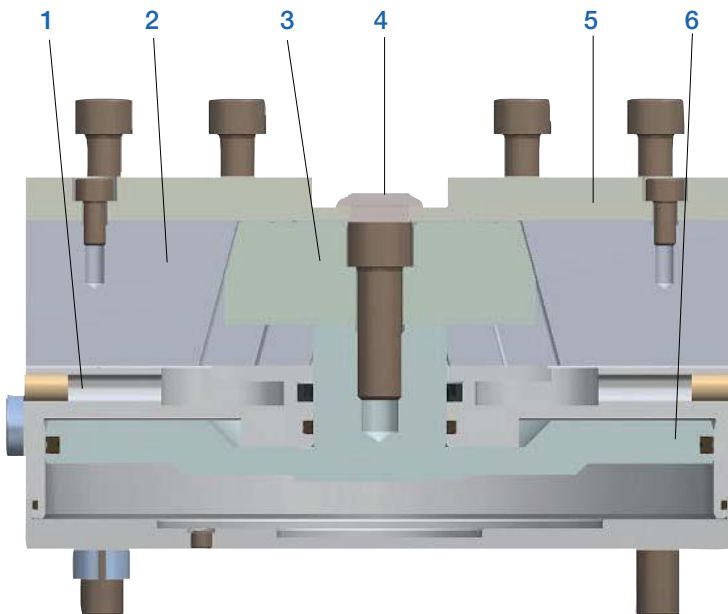
- ⊕ Compact design for best possible work area utilization
- ⊕ Flexible use thanks to lateral accessibility
- ⊕ High repeatability thanks to sturdy, low-backlash jaw guides and constant clamping force at same pressure
- ⊕ Centric clamping of round and angular workpieces possible by using different clamping jaws
- ⊕ Suitable for internal and external clamping

## TECHNICAL FEATURES

- Wedge hook principle with integrated pneumatic actuation
- Clamping force can be regulated by changing the pressure

### Note:

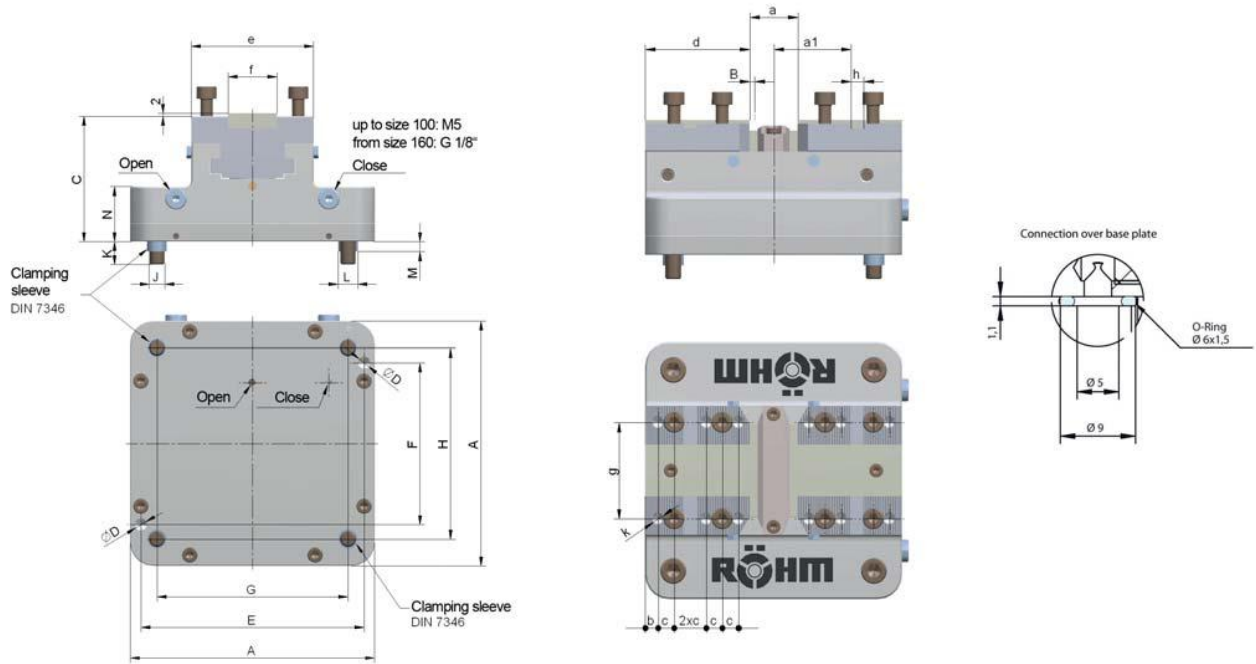
Hydraulic actuation on request



## Components:

1. Body
2. Base jaw
3. Piston
4. Cover bridge
5. Guiding rail
6. Piston disc

# KZS-PG



C 15

**Air-operated centering vices KZS-PG, large jaw movement, base jaws with serration 1,5 x 60° and tongue and groove connection**

Item no.	165340	165341	165456 ▲	165343 ▲
Size	100	160	200	250
A mm	100	160	200	250
Jaw travel B mm	6	7,8	8,5	15
C mm	69	82	90	98
Ø D mm	6	8	8	10
E±0,01 mm	90	146	184	230
F±0,01 mm	64	106	146	154
G±0,04 mm	80	125	160	200
H±0,04 mm	80	125	160	200
J (4x)	M8	M10	M10	M12
K mm	12	15	15	18
Ø L Clamping sleeve mm	11	13	13	16
M mm	4,5	6,5	6,5	6
N mm	35	36	42	52
O mm	32	40	50	64
P mm	29,5	50	65	75
a min.	20	23	25	33
a max.	32	38,6	42	63
a 1 min.	25,5	44,8	54,5	51,5
a 1 max.	31,5	52,6	63	66,5
b mm	5	11,2	11,5	15
c mm	7	10	10	12
d mm	37,5	68,5	87,5	103
e mm	55	80	100	125
f g6 mm	20	32	40	50
g mm	35	60	80	90
h H7 mm	6	8	8	10
k	4xM6/8	5xM8/13	6xM8/13	8xM12/18
Piston area cm <sup>2</sup>	62	175	250	370
Max. operating pressure bar	6	6	6	6
Max. total clamping force kN	4,2	10,5	14	15
Weight kg	3	9	19	29,5
Air consumption/Double stroke cm <sup>3</sup>	126	420	650	1300

# Jaws KZS-PG

C 21  
Soft top jaws, 2-jaw set, can be hardened serration 60° - material: 16 MnCr 5



Item no.	Chuck Size	Jaw length mm	Jaw height mm	Jaw width mm
166138		25	20	34
166140	100	42	25	55
166142	160	60	40	80
166144	200	75	45	100
166146		90	50	125

C 21  
Soft top jaws, 2-jaw set tongue and groove, high design, material: 16 MnCr 5



Item no.	Chuck Size	Jaw length mm	Jaw height mm	Jaw width mm
166126		28,5	35	34
166128	100	47	48	55
166130	160	76	77,5	80
166132	200	96	85	100
166134		120	100	125